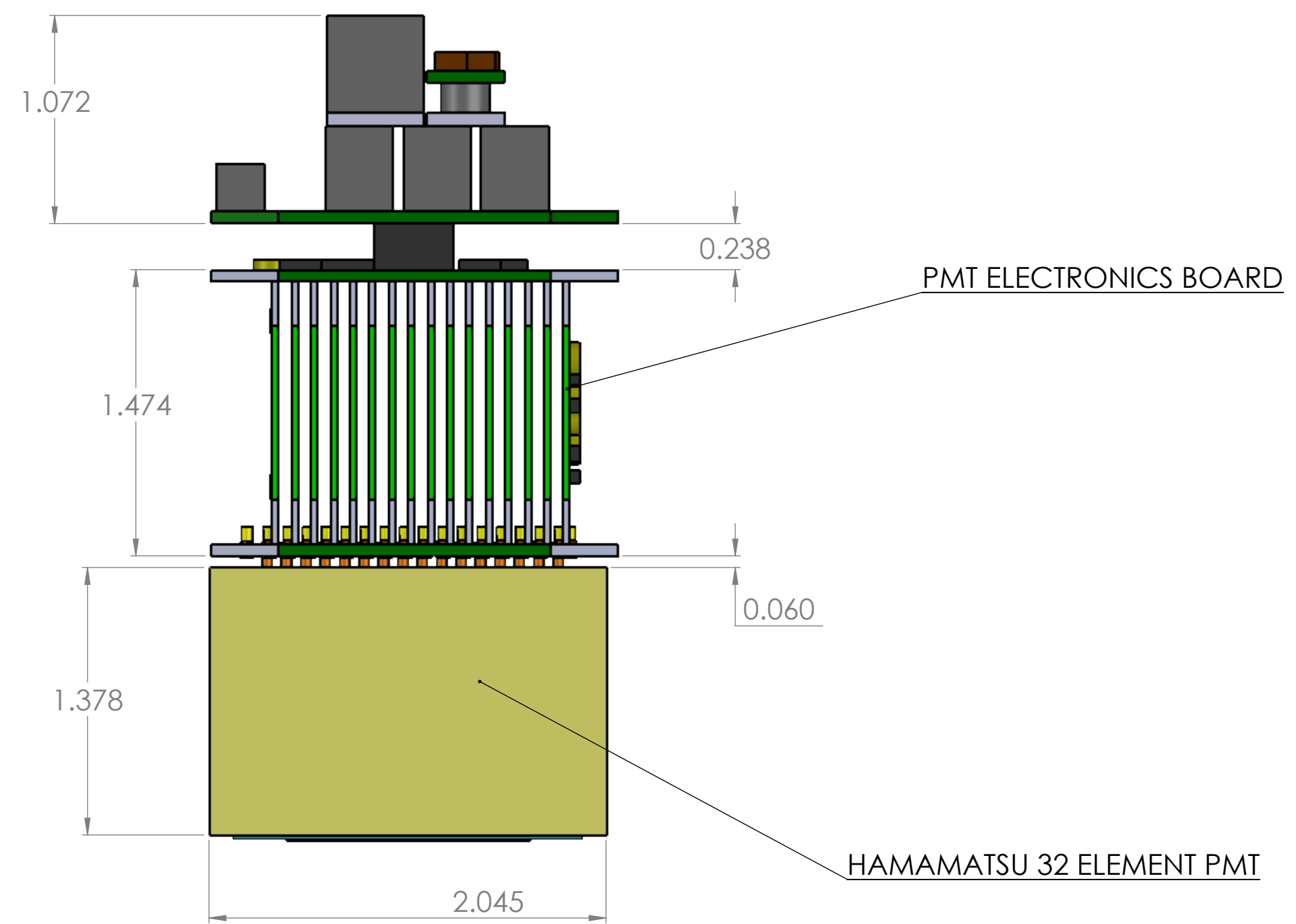


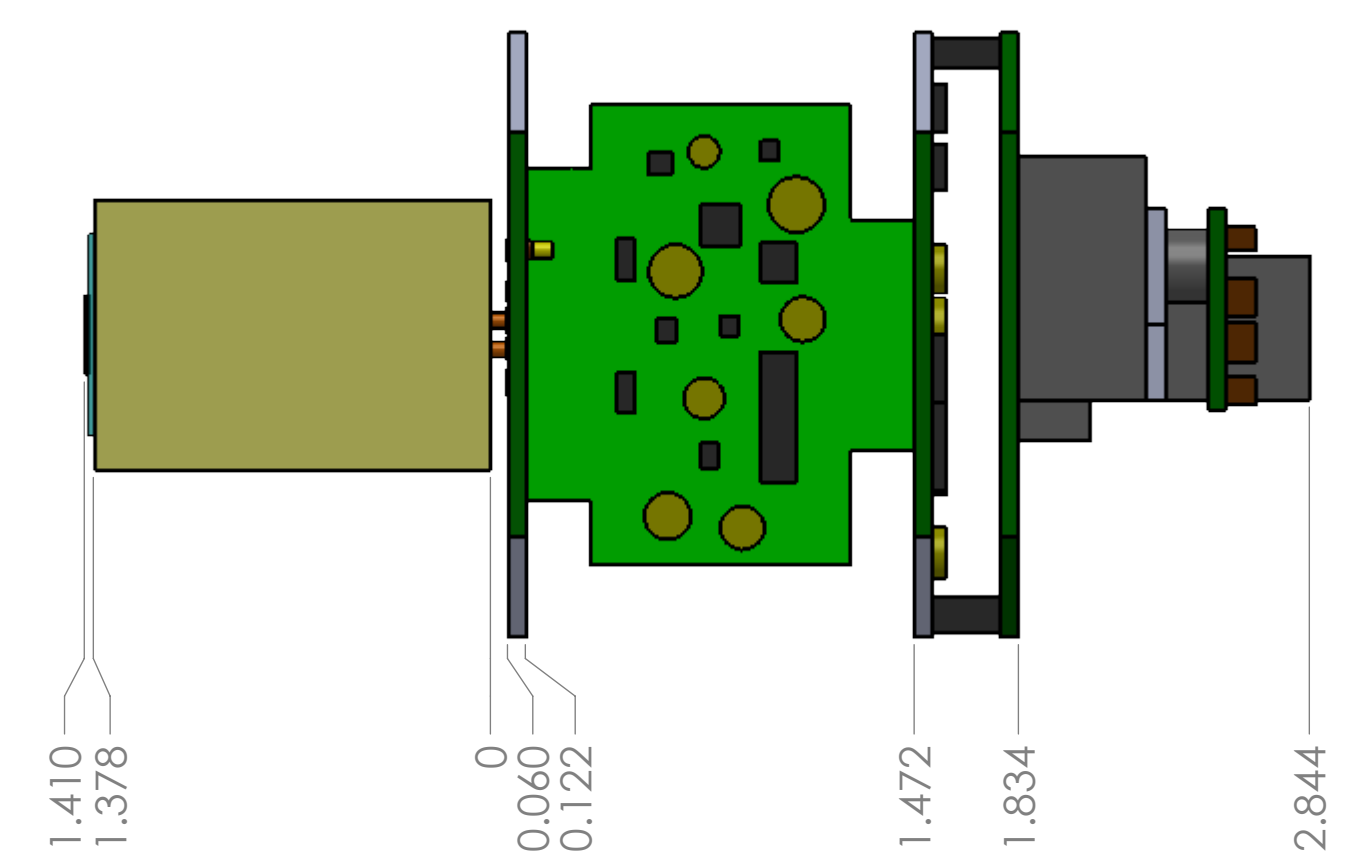
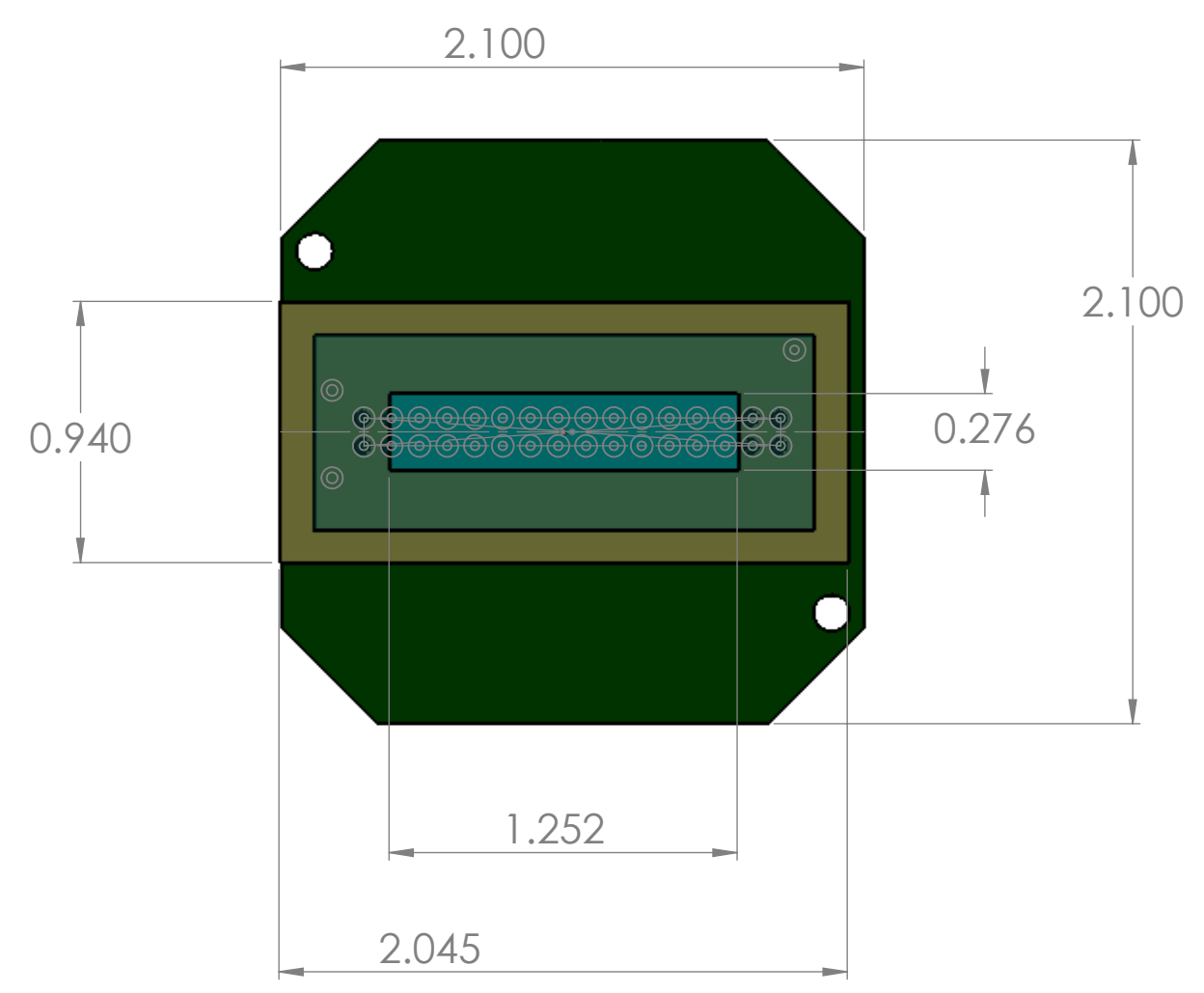
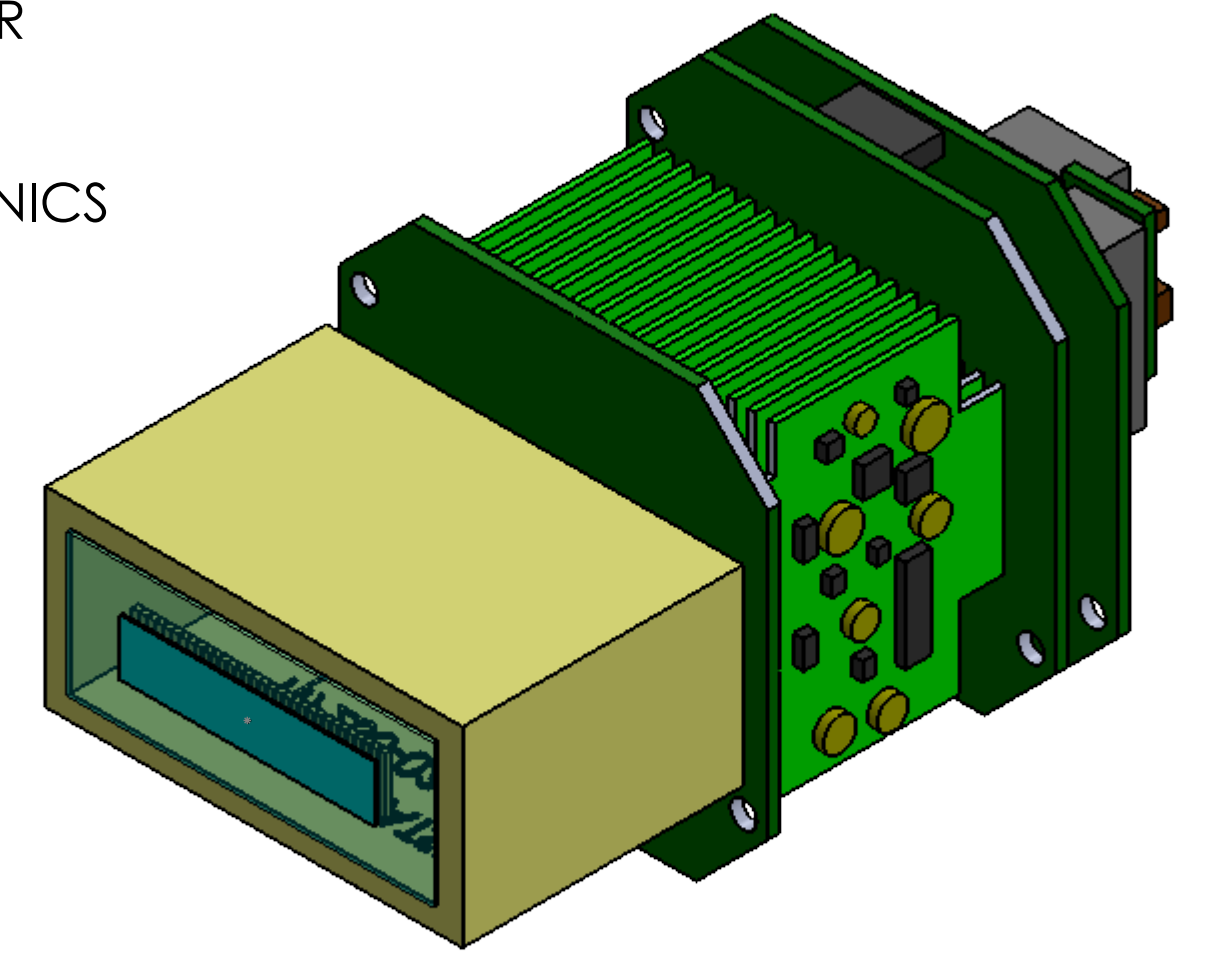
REVISIONS				
ZONE	REV.	DESCRIPTION	DATE	APPRVD
	N/C	INITIAL RELEASE	3/27/13	Q.N.
	1	add weight change title	8/16/18	Q.N.



WEIGHT

PMT DETECTOR
63.3 GRAMS

PMT ELECTRONICS
138.5 GRAMS



This drawing or specification constitutes the confidential information of Photon Systems and the receipt or possession does not convey any right in or license to use the information disclosed herein nor any right to reproduce this drawing or specification or any part hereof without the written consent Photon Systems

UNLESS OTHERWISE SPECIFIED DIMENSIONS ARE IN INCHES TOLERANCES ARE: FRACTIONS DECIMALS ANGLES ± .XX ± .01 ± 1/2° ± .XXX ± .005		CAD GENERATED DRAWING DO NOT MANUALLY UPDATE		PHOTON SYSTEMS 1518 Industrial Park, Suite A, Covina, CA 91722 tel: 626 967-6431 fax: 626 967-5813	
MATERIAL:		APPROVALS	DATE	TITLE	
FINISH:		DESIGN	8/16/18	32 element PMT and electronics	
DO NOT SCALE DRAWING		CHECKED		SIZE	REV.
		PROJ. ENG.	8/16/18	C	N/C
				SCALE	
				CAD FILE:	SHEET 1 OF 1