



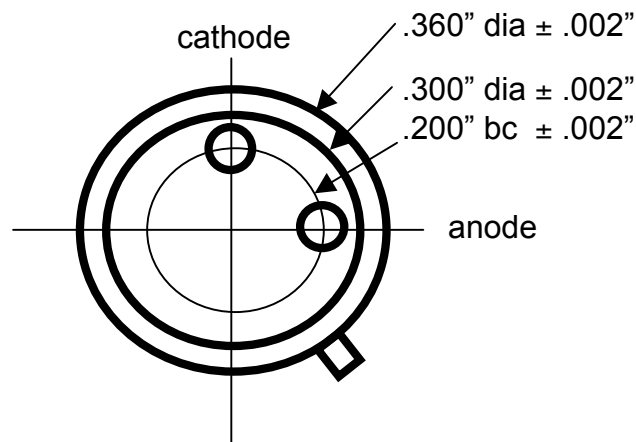
Deep UV Semiconductor Light Emitting Diodes (LEDs)

Emission Range: 250nm to 350nm

Photon Systems is developing new families of deep UV semiconductor light emitting devices including light emitting diode (LEDs) and light emitting triodes (LETs). LED devices between 250 nm and 350 nm are available now.

Specifications	Model UV LED-280	Model UV LED-255
CW output power:	>0.5 mW	>0.1 mW
Center wavelength:	280 ± 10 nm	255 ± 10 nm
Spectral linewidth:	<20nm FWHM	<20nm FWHM
CW Drive current, forward:	<25 mA, max.	<25 mA, max.
Reverse current:	<100uA max.	<100uA max.
Operating voltage, reverse:	6 VDC	
Forward voltage:	7.5V max.	
Max.pulsed drive current:	200 mA at 1% duty cycle(50nsec max width)	
Package:	TO-39 hermetic package, per diagram below	
Window/Lens choices:	flat, hemispheric, or ball lens window	

Window/Lens style	Flat window	Hemispheric lens	Ball lens
Beam Pattern	60° wide area lambertian pattern	6° divergent beam pattern	2mm dia spot at 20mm



1512 Industrial Park St., Covina, CA 91722
 email: info@photonssystem.com

Tel: 626 967-6431 Fax: 626 967-5813
www.photonssystem.com